

Agena Rimless Wall Faced Floor Pan

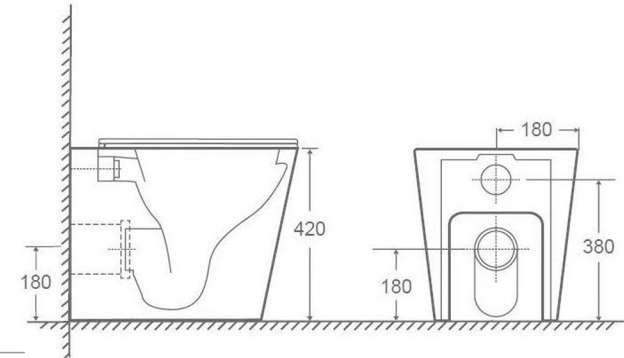
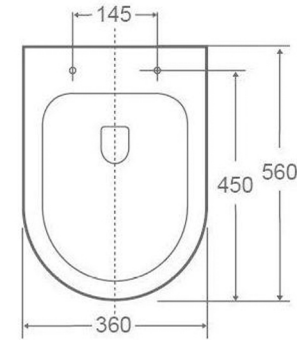
LK-AG022WFP

The Agene rimless wall face floor pan combines sleek, modern design with next-level hygiene. Featuring advanced nano-glaze technology, it creates a ultra-smooth, anti-bacterial barrier across the entire inner pan and trap, preventing grime and bacteria build up for a consistently cleaner toilet. Its rimless design ensures powerful, splash-free flushing while eliminating hidden crevices, making cleaning effortless. The suite includes a durable soft-close, quick-release seat with chrome fixings and is available in both back and bottom inlet options to suit diverse installation requirements.

Overall Size: 560*360*420mm



Product type	Toilet
Collection	Agena
Colour / Finish	Gloss White
Material	Ceramic
WELS	4 Star 4.5/3L
Inlet Hight	380mm
S-Trap Set Out	100-150mm
Seat	UF Slim LK-SCU09 (Include)
Average Water Flush(L/f)	3.4 Litres



Warranty	20 Years Replacement on Ceramic (Pans and Cisterns). 1 Year Replacement on Parts which include toilet seat covers, flush pipes and buttons. 3 Years Replacement on inlet or outlet valves.
Availability	Stocked Item
Optional	Optional traps sold Separately P-Trap PWG004 180mm S-Trap PWg001: 60-90mm S-Trap Pwg003: 150-185mm
WELS Registration No	MW030105



AS 1172.1
1172.2
Licence NO.
WM030105

